

GENERAL

ALIAMAG AMF900 Series is a flange type electromagnetic flowmeter ideal for conductive liquids. It comes in sizes from 6 to 2000mm.

AMF900 is widely used for tap-water, waste water, food & beverage pulp & paper and many other industrial fluid.

AMF900 Series electromagnetic flowmeter could be used in compact or separate model with AMC Series converter of electromagnetic flowmeter.

FEATURES

- ❑ Various liner and electrode satisfy most industrial applications
- ❑ Flow Velocity range: 0-12 m/s, precise in low flow applications
- ❑ It comes any flanges such as, ANSI, DIN, JIS... etc
- ❑ Excellent for high pressure application
- ❑ Protection class: IP68 available; sensor submersible
- ❑ FEP Liner is suitable for vacuum tube
- ❑ High accuracy of +/-0.4% value of reading (or +/-0.2% value of reading)
- ❑ With Forward/Reverse flowrate measurement function
- ❑ It has electrode cleaning function

STANDARD SPECIFICATION

- | | | | |
|--------------------|---|-------------------------|--|
| ● Size | : 6,10,15,20, 25,32,40,50,65,80,100,125
150,200,250,300,350,400,450,500,600
700,800,900,1000,1200,1400,1600
1800,2000 mm | ● Electrode & Grounding | : Stainless Steel 316L
: Hastelloy B
: Hastelloy C
: Titanium
: Tantalum
: Platinum
: Tungsten Carbide |
| ● Measuring Range | : Velocity 0 - 0.25 m/s min.
0 - 12 m/s max. | ● Cable Entry | : Standard :PG11 Option:1/2"NPTF |
| ● Material | Measuring Tube : Stainless Steel 304
Flange : Carbon Steel (Standard)
: Stainless Steel 304 (Option)
: Stainless Steel 316, 316L (Option)
Coil Housing : Carbon Steel (Standard)
: Stainless Steel 304 (Option)
: Stainless Steel 316,316L (Option) | ● Ambient Temperature | : -25 to +60 °C |
| ● Liner | : Polyurethane (25-600 mm)
: Neoprene (50-2000 mm)
: FEP (6-300 mm)
: PTFE (25-800 mm)
: PFA (6-300 mm) | ● Process Connection | : Flange |
| ● Protection Class | : Junction box IP67, Body IP68
: IP 68 (Submersible) | ● Flange Type | : JIS 10K / JIS 20K / JIS 40K
ANSI 150# / ANSI 300# / ANSI 600#
DIN PN 10 / PN 16 / PN25 / PN 40 |
| ● Conductivity | : More than 5 uS/cm | ● Grounding Resistance | : Must be less than 10 Ω |
| ● Explosion Proof | : Exd(ib)ibqIIBT5
(with AMC3100/AMC4000 only) | ● Accuracy | : +/-0.4% of reading (Velocity ≥ 0.5 m/s)
: +/-0.0025 m/s (Velocity < 0.5 m/s)
: +/-0.2% of reading
(Suitable for AMC3100 converter only) |
| | | ● Temperature | : -10 ~ +60 °C (Polyurethane, PU)
: -20 ~ +70 °C (Neoprene)
: -40 ~ +120 °C (PTFE 1"to 10")
: -40 ~ +140 °C (PTFE 1"to6", FEP 1/4"to12")
: -40 ~ +180 °C (PTFE 1"to3", PFA1/4"to12") |
| | | ● Max. Pressure | : 350 Kg/cm2 |



ALIA GROUP INC.

113 Barksdale Professional Center, Newark, DE 19711, USA
TEL : + 1 - 302 - 213 - 0106 FAX : + 1 - 302 - 213 - 0107

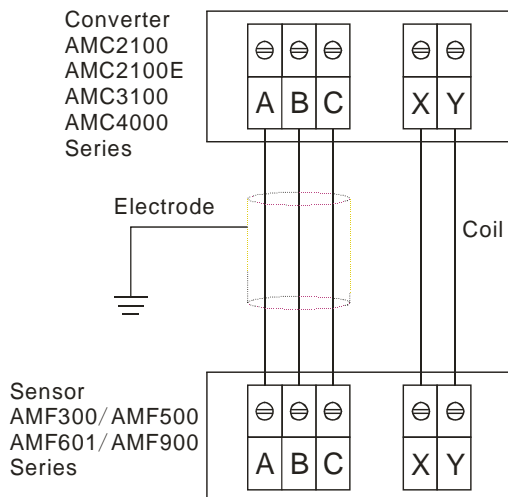
URL : www.alia-inc.com
E-mail : alia@alia-inc.com
AMF900V1.1.9.r1.A4.en

FLOW RANGE

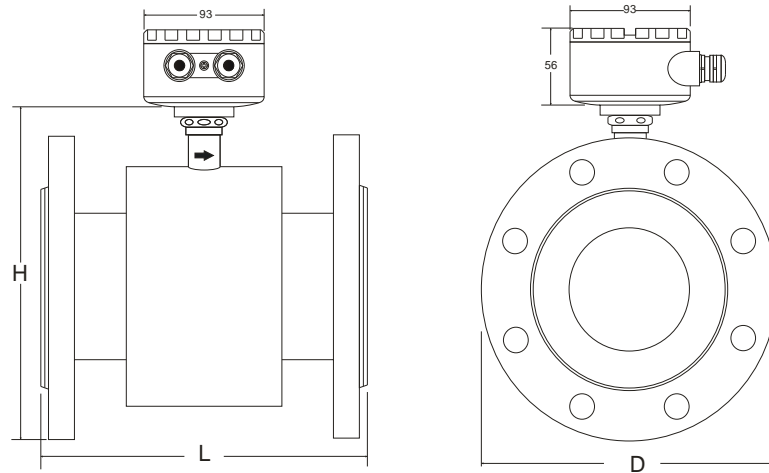
Unit: M3/Hr

Normal Size		Flow Range & Velocity Table						
mm	Inch	Min.						Max.
		0 - 0.25M/S	1.0 M/S	2.0 M/S	3.0 M/S	5.0 M/S	10.0 M/S	0 - 12 M/S
6	1/4"	0 to 0.025	0.10	0.20	0.31	0.51	1.02	0 to 1.22
10	3/8"	0 to 0.071	0.28	0.57	0.85	1.41	2.83	0 to 3.39
15	1/2"	0 to 0.16	0.64	1.27	1.91	3.18	6.36	0 to 7.63
20	3/4"	0 to 0.28	1.13	2.26	3.39	5.65	11.3	0 to 13.6
25	1"	0 to 0.44	1.77	3.53	5.30	8.84	17.7	0 to 21.2
32	1-1/4"	0 to 0.72	2.90	5.79	8.69	14.5	29.0	0 to 34.7
40	1-1/2"	0 to 1.13	4.52	9.05	13.6	22.6	45.2	0 to 54.3
50	2"	0 to 1.77	7.07	14.1	21.2	35.3	70.7	0 to 84.8
65	2-1/2"	0 to 2.99	11.9	23.9	35.8	59.7	119	0 to 143
80	3"	0 to 4.52	18.1	36.2	54.3	90.5	181	0 to 217
100	4"	0 to 7.07	28.3	56.5	84.8	141.4	283	0 to 339
125	5"	0 to 11.0	44.2	88.4	133	220.9	442	0 to 530
150	6"	0 to 15.9	63.6	127	191	318.1	636	0 to 763
200	8"	0 to 28.3	113	226	339	565.5	1131	0 to 1357
250	10"	0 to 44.2	177	353	530	883.6	1767	0 to 2121
300	12"	0 to 63.6	254	509	763	1272	2545	0 to 3054
350	14"	0 to 86.6	346	693	1039	1732	3464	0 to 4156
400	16"	0 to 113	452	905	1357	2262	4524	0 to 5429
450	18"	0 to 143	573	1145	1718	2863	5725	0 to 6871
500	20"	0 to 177	707	1414	2121	3534	7068	0 to 8482
600	24"	0 to 254	1018	2036	3054	5089	10179	0 to 12214
700	28"	0 to 346	1385	2771	4156	6927	13854	0 to 16625
800	32"	0 to 452	1810	3619	5429	9048	18095	0 to 21714
900	36"	0 to 573	2290	4580	6871	11451	22902	0 to 27482
1000	40"	0 to 707	2827	5655	8482	14137	28274	0 to 33928
1200	48"	0 to 1018	4071	8143	12214	20357	40714	0 to 48857
1400	56"	0 to 1385	5542	11083	16625	27708	55417	0 to 66500
1600	64"	0 to 1810	7238	14476	21714	36190	72381	0 to 86857
1800	72"	0 to 2290	9161	18321	27482	45803	91607	0 to 109928
2000	80"	0 to 2827	11309	22619	33928	56547	113095	0 to 135714

WIRING DIAGRAM



➤ DIMENSIONS



Size (mm)	Standard Pressure Kg/cm2	Liner Material				Dimensions (mm)			Weight Kg
		FEP / PFA	Neoprene	Polyurethane	PTFE	L	D	H	
6	40	☉				150	90	145	4.0
10		☉							4.0
15		☉					95	155	4.5
20		☉					105	160	5.1
25		☉		☉	☉		115	166	5.5
32		☉		☉	☉		140	180	7.0
40		☉		☉	☉		150	190	7.7
50		☉	☉	☉	☉		200	165	201
65		☉	☉	☉	☉	185		220	11.5
80		☉	☉	☉	☉	200		235	13
100	16	☉	☉	☉	☉	250	220	254	16
125		☉	☉	☉	☉		250	284	21
150		☉	☉	☉	☉	300	285	314	27
200	10	☉	☉	☉	☉	350	340	369	45
250		☉	☉	☉	☉	400	395	430	53
300		☉	☉	☉	☉	450	445	480	72
350			☉	☉	☉		505	540	75
400			☉	☉	☉	500	565	600	99
450			☉	☉	☉	600	615	640	207
500			☉	☉	☉		670	700	237
600			☉	☉	☉		780	800	318
700				☉	☉		700	895	910
800				☉	☉	800	1015	1020	408
900			☉		900	1115	1120	457	
1000			☉		1000	1230	1230	610	
1200	6		☉			1200	1405	1405	1460
1400			☉			1400	1630	1630	2730
1600			☉			1600	1830	1830	3460
1800			☉			1800	2045	2045	4860
2000			☉			2000	2265	2265	5800

Note: ☉ Standard

Weight & Dimension D & H only for DIN flange

MODEL SELECTION GUIDE

AMF900 Series										
Example:AMF900-P0100-CAE84-010-T1										
AMF900-	X	XXX-	X	X	X	X	X-	XXX	-X	Description
Liner	N									Chloroprene Rubber (Neoprene)(50 ~ 2000mm, 2" ~ 80")
	F									FEP (6 ~ 300mm, 1/4" ~ 12")
	P									PTFE (25 ~ 800mm, 1" ~ 32")
	A									PFA (6 ~ 300mm, 1/4" ~ 12")
	O									Polyurethane (25 ~ 600mm, 1" ~ 24")
Size	6 ~ 2000									6 ~ 2000mm
Electrode Material	-S									Stainless Steel 316L
	-T									Titanium
	-B									Hastelloy B
	-C									Hastelloy C
	-A									Tantalum
	-P									Platinum
	-U									Tungsten Carbide
	-Z									Others
Process Connection	1									PN10
	2									PN16
	3									PN25
	4									PN40
	A									ANSI 150 #
	B									ANSI 300 #
	C									ANSI 600 #
	J									JIS 10K
	K									JIS 20K
	L									JIS 40K
	Z									Others
	Grounding	N								
E										Grounding Electrode (3 Electrodes)
R										Grounding Ring (Stainless Steel 316)
A										Grounding & Protection Ring (Stainless Steel 316)
Protection Class	8									Junction box IP67, Body IP68
	9									IP68 (Submersible, Separate with Converter Only)
Flange & Housing	0-									Carbon Steel (Standard)
	4-									S.S.304 Flange
	6-									S.S.316 Flange
	8-									S.S.304 Flange & Housing
	9-									S.S.316 Flange & Housing
Installation & Cable Length	NNN									Compact Version
	010~300									Separate Version, Cable 10M ~ 300M
Option	-N									None
	-X									Explosion Proof, Exd(ib)ibqIIBT5 (with AMC3100/AMC4000 only)
	-T1									Max. Temp.:120-140 °C
	-T2									Max. Temp.:141-180 °C
	-PT									Cable Entry 1/2" NPTF
	-CD									Electrode Cleaning Device (Only for 2 Electrodes(316L), Size>=4")