

GENERAL

ALIAMAG AMF500 Series is a wafer type electromagnetic flowmeter ideal for conductive liquids. It comes in sizes from 25 to 200 mm.

AMF500 is widely used for tap-water, waste water, food & beverage, pulp & paper and many other industrial fluid.

AMF500 Series electromagnetic flowmeter could be used in compact or separate model with AMC Series converter of electromagnetic flowmeter.

FEATURES

- ❑ Light and compact version
- ❑ Flow Velocity range: 0-12 m/s, precise in low flow applications
- ❑ It comes any flanges such as ANSI, DIN, JIS... etc
- ❑ Excellent for high pressure application
- ❑ Protection class: IP68 available; sensor submersible
- ❑ FEP Liner is suitable for vacuum tube
- ❑ High accuracy of +/-0.4% value of reading (or +/-0.2% value of reading)
- ❑ With Forward / Reverse flowrate measurement function
- ❑ It has electrode cleaning function

STANDARD SPECIFICATION

- | | | | |
|-------------------------|--|------------------------|--|
| ● Size | : 25, 32, 40, 50, 65, 80, 100, 125, 150, 200 mm | ● Cable Entry | : Standard :PG11 Option:1/2"NPTF |
| ● Measuring Range | : Velocity 0-0.25 m/s min.
0-12 m/s max. | ● Ambient Temperature | : -25 to +60 °C |
| ● Material | | ● Process Connection | : Wafer |
| Measuring Tube | : Stainless Steel 304 | ● Flange type | : JIS 10K / JIS 20K / JIS 40K
ANSI 150# / ANSI 300# / ANSI 600#
DIN PN 10 / PN 16 / PN25 / PN 40 |
| Coil Housing | : Carbon Steel (Standard)
: Stainless Steel 304 (Option)
: Stainless Steel 316 (Option) | ● Grounding Resistance | : Must be less than 10 Ω |
| ● Liner | : FEP | ● Accuracy | : +/-0.5% of reading (Velocity ≥ 0.5 m/s)
: +/-0.2% of reading
(Suitable for AMC3100 converter only)
: +/-0.0025 m/s (Velocity < 0.5 m/s) |
| ● Protection Class | : Junction box IP67, Body IP68
: IP 68 (Submersible) | ● Temperature | : -40 to +180 °C |
| ● Conductivity | : More than 5 uS/cm | ● Max. Pressure | : 16 Kg/cm2 (Standard)
: 40 Kg/cm2 (Option) |
| ● Electrode & Grounding | : Stainless Steel 316L
: Hastelloy B
: Hastelloy C
: Titanium
: Tantalum
: Tungsten Carbide
: Platinum | ● Explosion Proof | : Exd(ib)IbqIIBT5
(with AMC3100/AMC4000 only) |

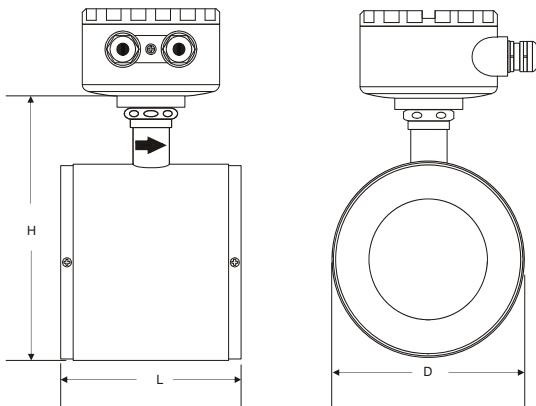


FLOW RANGE

Unit: M³/Hr

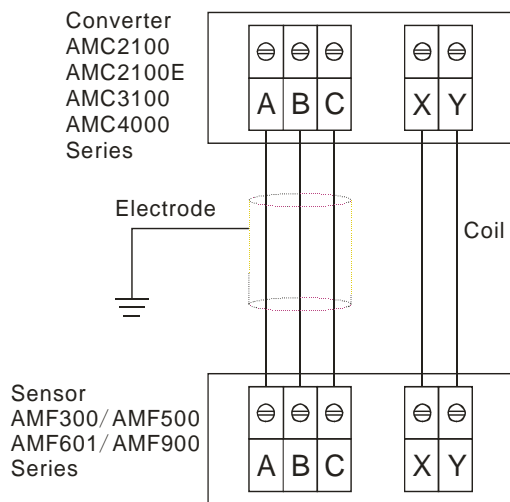
Normal Size		Flow Range & Velocity Table						
mm	Inch	Min. 0 - 0.25M/S	1.0 M/S	2.0 M/S	3.0 M/S	5.0 M/S	10.0 M/S	Max. 0 - 12 M/S
25	1"	0 to 0.44	1.77	3.53	5.30	8.84	17.7	0 to 21.2
32	1-1/4"	0 to 0.72	2.90	5.79	8.69	14.5	29.0	0 to 34.7
40	1-1/2"	0 to 1.13	4.52	9.05	13.6	22.6	45.2	0 to 54.3
50	2"	0 to 1.77	7.07	14.1	21.2	35.3	70.7	0 to 84.8
65	2-1/2"	0 to 2.99	11.9	23.9	35.8	59.7	119	0 to 143
80	3"	0 to 4.52	18.1	36.2	54.3	90.5	181	0 to 217
100	4"	0 to 7.07	28.3	56.5	84.8	141	283	0 to 339
125	5"	0 to 11.0	44.2	88.4	133	221	442	0 to 530
150	6"	0 to 15.9	63.6	127	191	318	636	0 to 763
200	8"	0 to 28.3	113	226	339	565	1131	0 to 1357

DIMENSIONS



Size		Dimensions (mm)			Weight
mm	Inch	L	D	H	Kg
25	1"	90	71	138	3.5
32	1-1/4"	100	80	147	4
40	1-1/2"		86	153	4.6
50	2"	115	100	167	5.2
65	2-1/2"		120	187	6.4
80	3"	130	131	198	7.4
100	4"	155	151	218	8.9
125	5"		181	248	10.6
150	6"	185	206	273	13
200	8"	215	261	328	19.8

➤ WIRING DIAGRAM



➤ MODEL SELECTION GUIDE

AMF500 Series									
Example:AMF500-080-CE80-050-N									
AMF500-	XXX	-X	X	X	X-	XXX	-X	Description	
Size	025 ~ 200							25 ~ 200mm	
Electrode Material	-S							Stainless Steel 316L	
	-T							Titanium	
	-B							Hastelloy B	
	-C							Hastelloy C	
	-A							Tantalum	
	-P							Platinum	
	-U							Tungsten Carbide	
	-Z							Others	
Grounding	N							None	
	E							Grounding Electrode (3 Electrodes)	
	R							Grounding Ring (S.S.316)	
	A							Grounding & Protection Ring (S.S.316)	
Protection Class	8							Junction box IP67, Body IP68	
	9							IP68 (Submersible, Separate with Converter Only)	
Housing Material	0-							Carbon Steel (Standard)	
	8-							S.S.304 Housing	
	9-							S.S.316 Housing	
Installation & Cable Length					NNN			Compact Version	
					010~300			Separate Version, Cable 10M ~ 300M	
Option	-N							None	
	-X							Explosion Proof, Exd(ib)IBT5 (with AMC3100/AMC4000 Only)	
	-P							Pressure Higher Than Standard	
	-T							Max. Temp. Higher Than 120 °C	
	-PT							Cable Entry 1/2" NPTF	
	-CD							Electrode Cleaning Device (Only for 2 Electrodes(316L), Size>=4")	

➤ BUILD OPTIONS-(COMPACT OR REMOTE)

